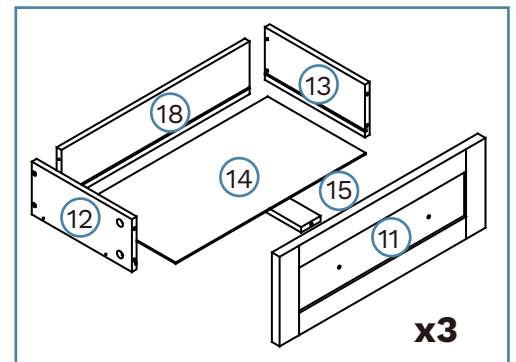
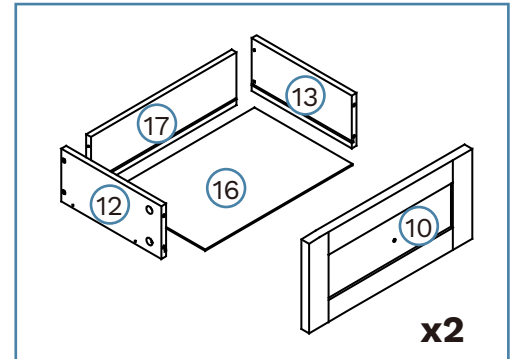
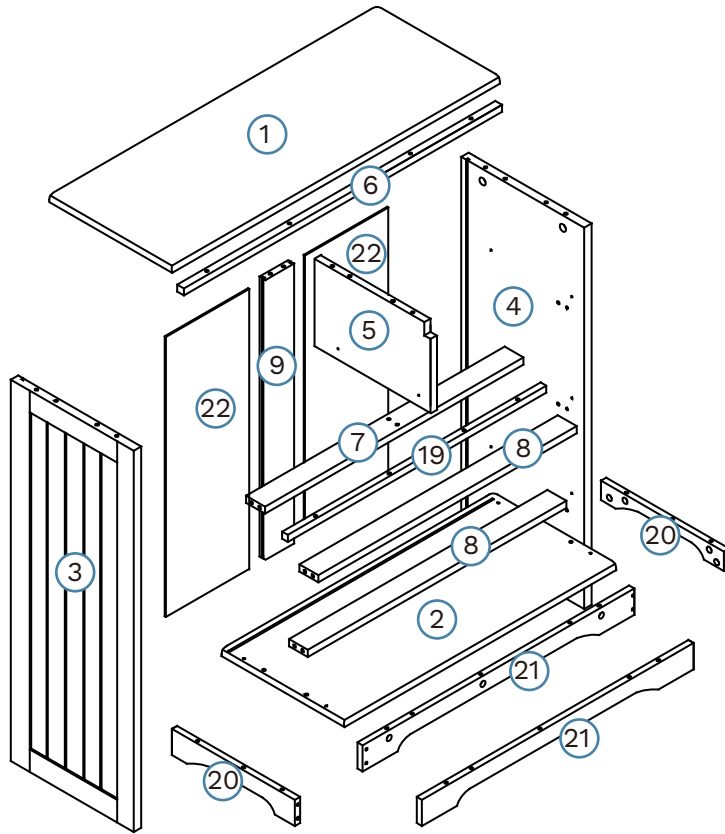


Hamptons Tallboy

Thank you for your purchase. Please follow the instructions for correct assembly. While we took great effort to ensure these assembly instructions were correct at the time of printing, sometimes updates are required post production. For the most up to date versions please refer to the product page on our website. mocka.com.au/mocka.co.nz









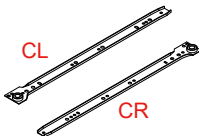
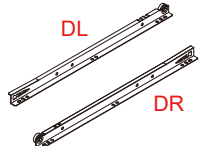
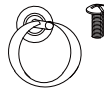

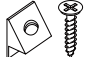
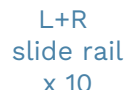

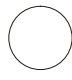
Panel Layout








Partlist

①	Top Panel	x1	⑬	Right Drawer Side	x5
②	Bottom Panel	x1	⑭	Drawer Base	x3
③	left Side Panel	x1	⑮	Drawer Base Support	x3
④	Right Side Panel	x1	⑯	Drawer Base	x2
⑤	Divider	x1	⑰	Drawer Back	x2
⑥	Slats	x1	⑱	Drawer Back	x3
⑦	Slats	x1	⑲	Slats	x1
⑧	Slats	x2	⑳	Back Slats	x2
⑨	Back Slats	x1	㉑	Back Slats	x2
⑩	Drawer Front	x2	㉒	Back Panel	x2
⑪	Drawer Front	x3			
⑫	Left Drawer Side	x5			

Hamptons Tallboy

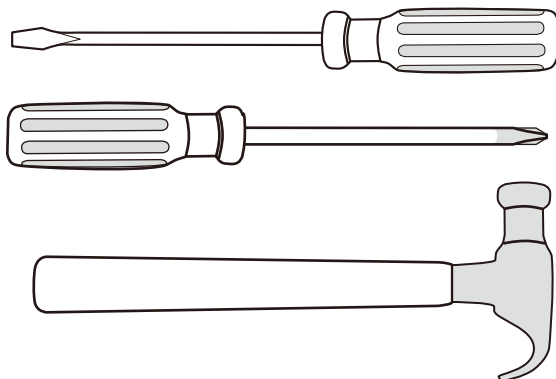
 A bolt x 51	 B locking nut x 51	 C dowel x 27	 D long screw x 13	 E small screw x 50	 F medium screw x 23
 CL CR	 DL DR		 I handle x 8	 J medium screw x 4	 K wedge x 10
 L+R slide rail x 10	 L+R slide rail x 10				
 L cover x 20					

HARDWARE SUPPLIED

 V safety strap x 1	 W screw x 1	 X wall anchor x 1	 Y wall screw x 1	 Z washer x 1
---	--	--	---	---

WALL STRAP

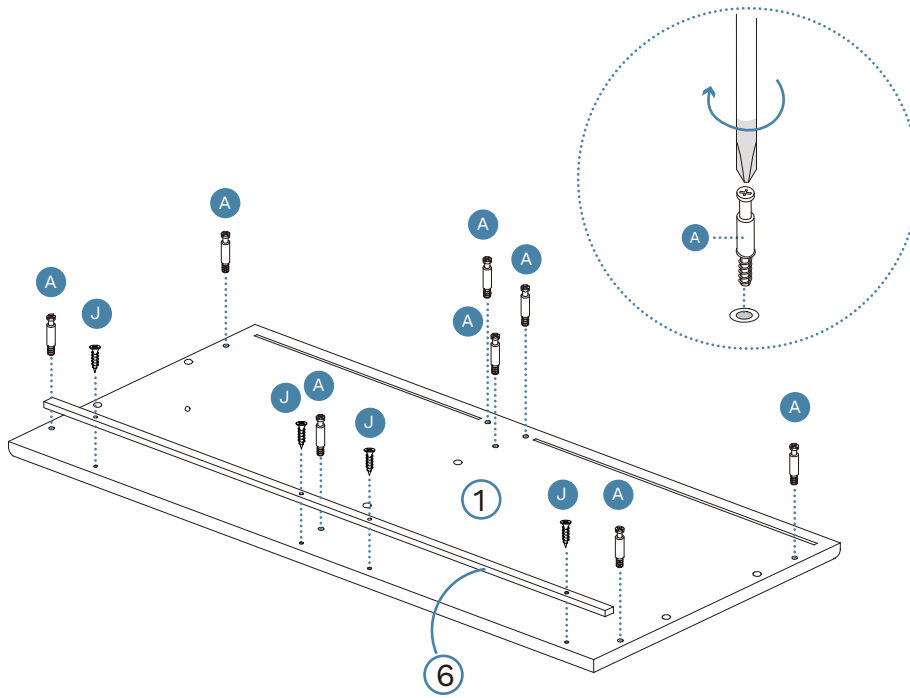
WARNING: Any furniture that is not anchored to a wall has the potential to tip over in certain circumstances, i.e. if a child attempts to climb up on the furniture or in the event of an earthquake. Accordingly, we recommend that all furniture is anchored to a wall. We supply a free safety wall anchor with all furniture sold and we recommend these are used to prevent your product tipping. The fixing device provided should fit most wall types, but please note that different wall materials may require different fixing devices from those supplied.

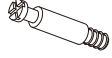



Phillips & Flathead screwdrivers
and hammer required
**For quicker assembly, we recommend the
use of a power drill on a low-speed setting.**

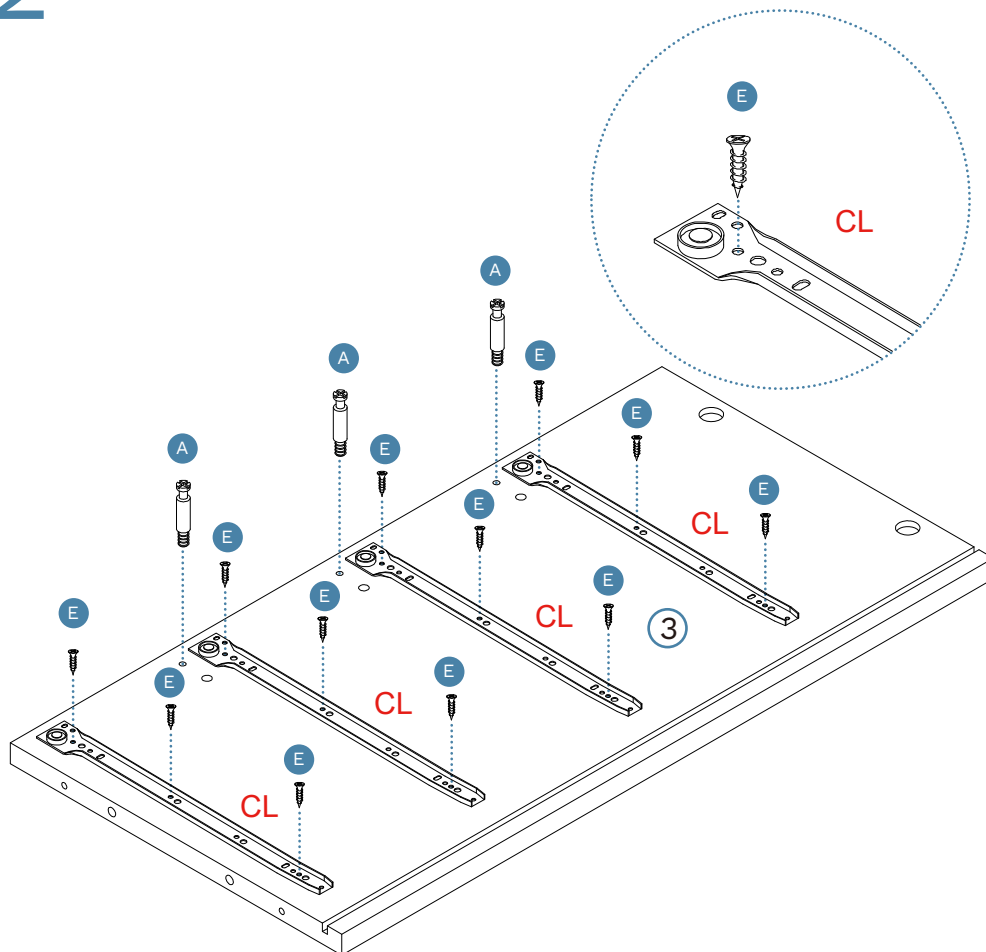
Hamptons Tallboy

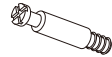


1



Hardware Needed		
A		x8
J		x4

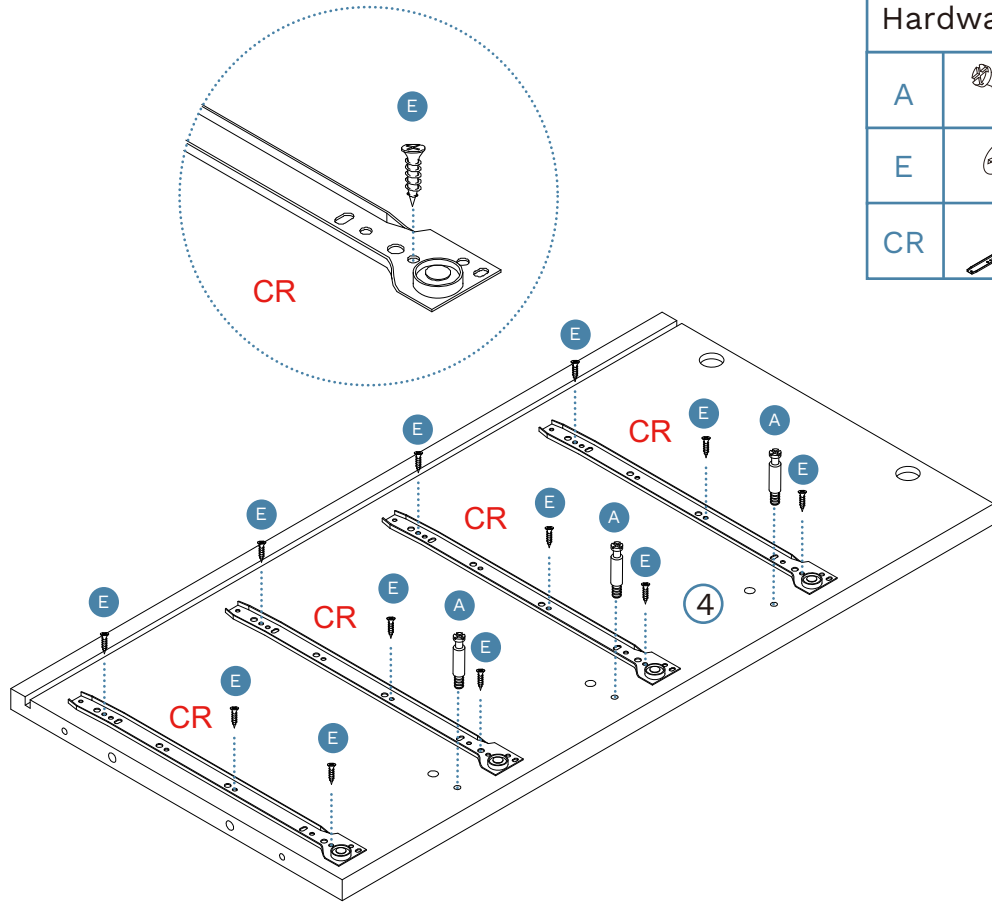
2



Hardware Needed		
A		x3
E		x12
CL		x4

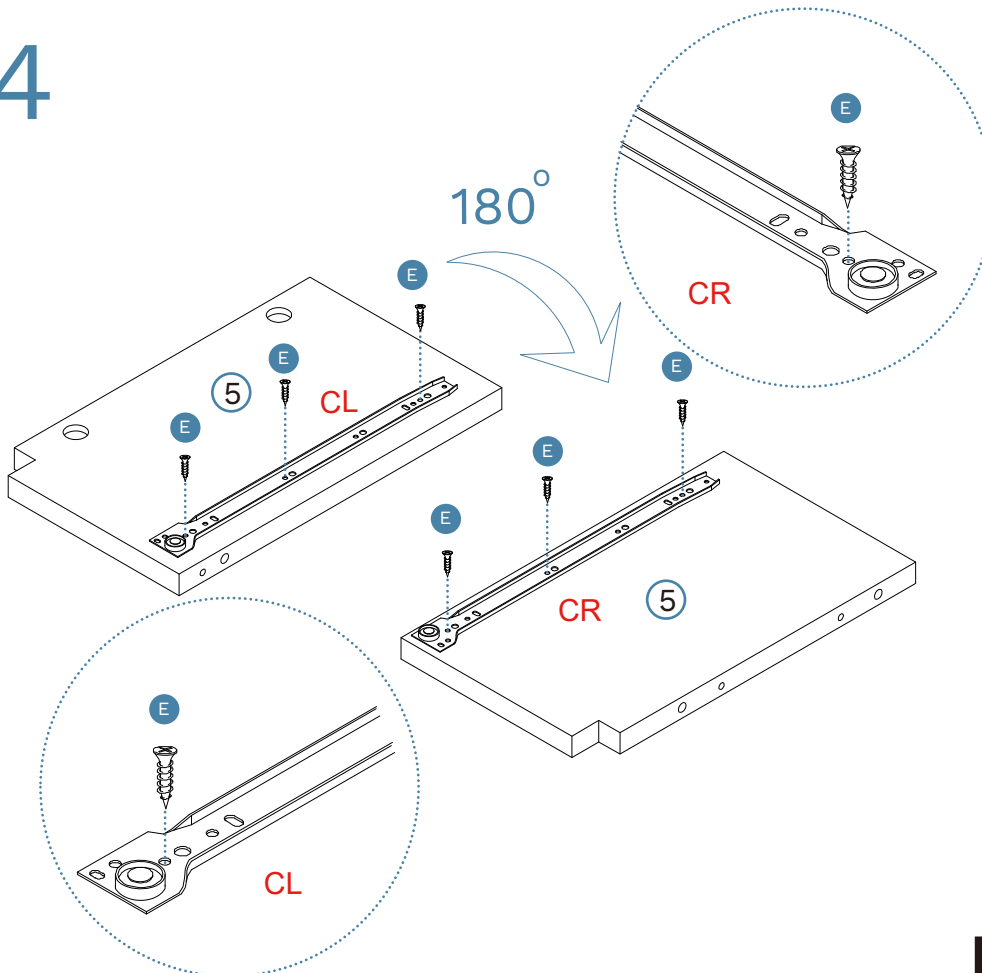
Hamptons Tallboy

3



Hardware Needed		
A		x3
E		x12
CR		x4

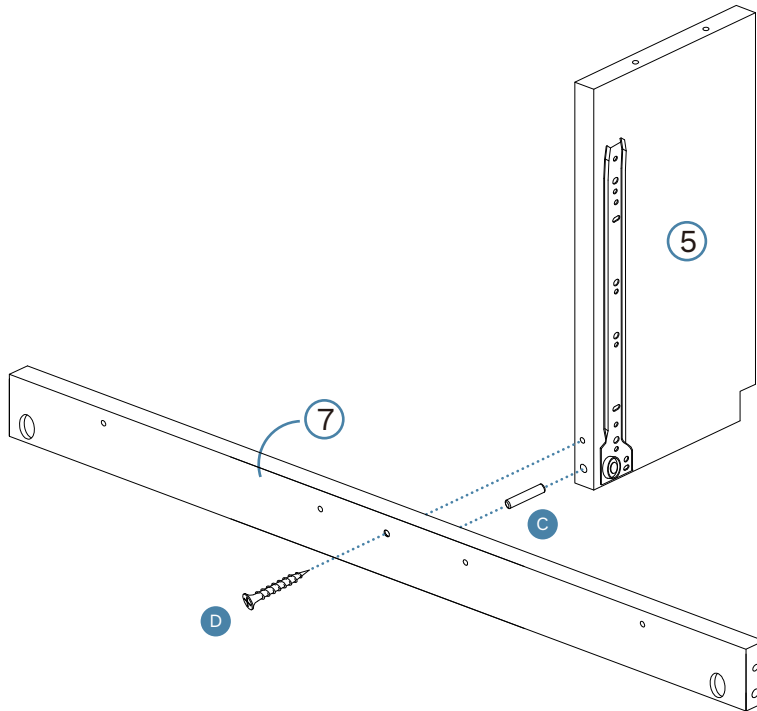
4





Hardware Needed		
E		x6
CR		x1
CL		x1

Hamptons Tallboy

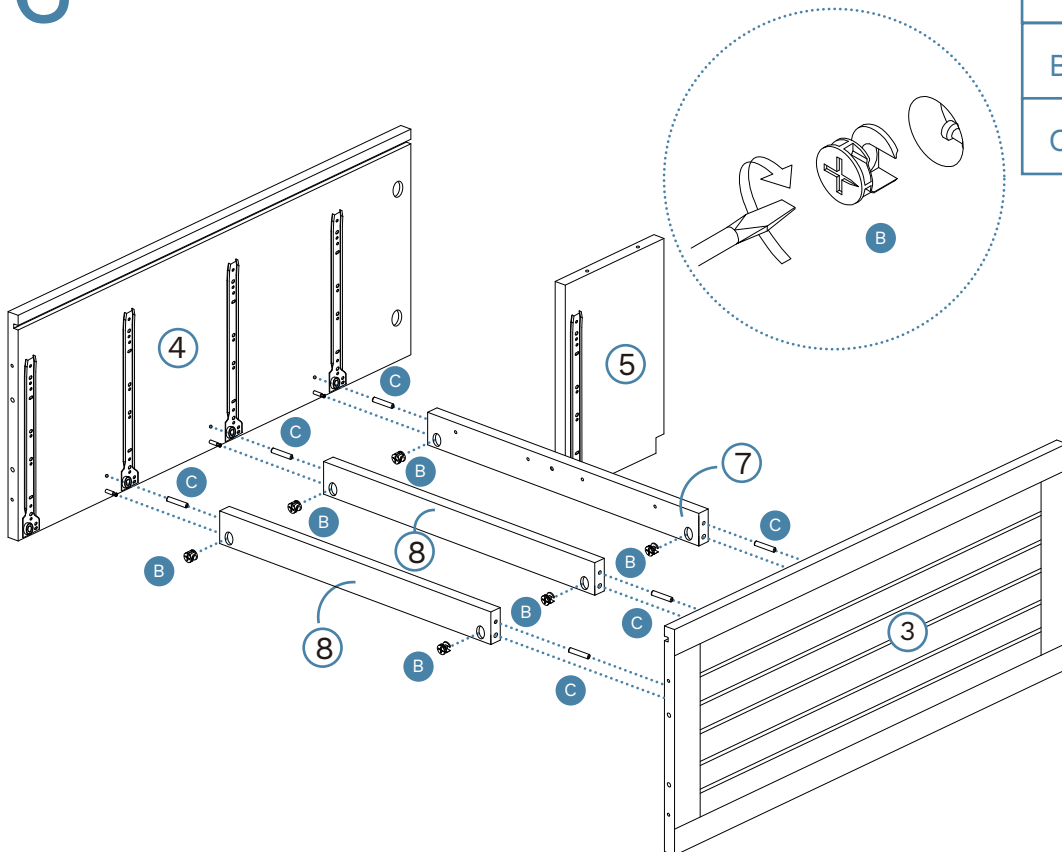
5





Hardware Needed

C		x1
D		x1

6

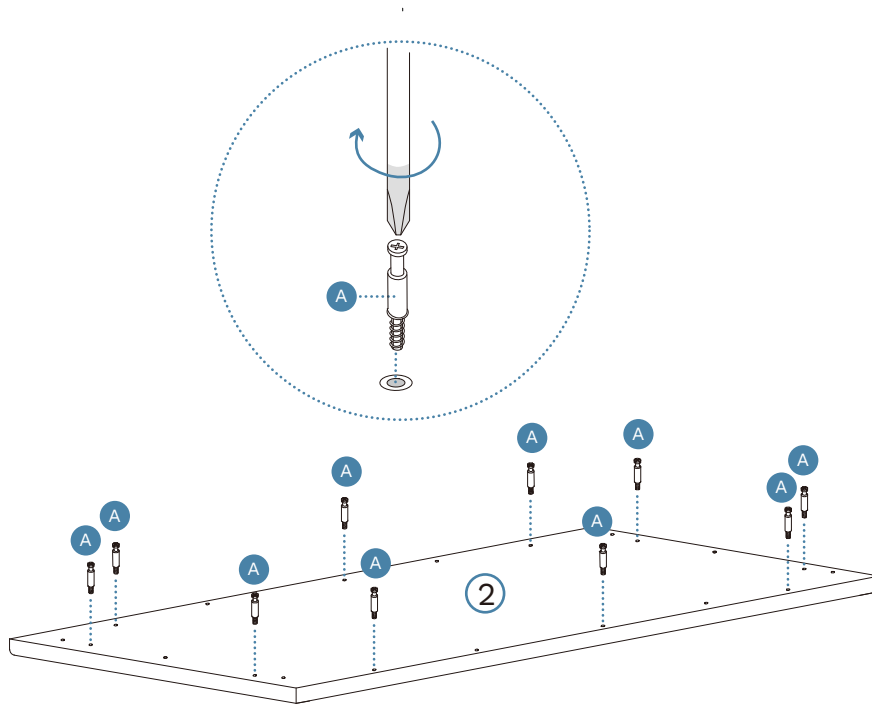


Hardware Needed

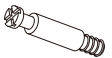
B		x6
C		x6

Hamptons Tallboy

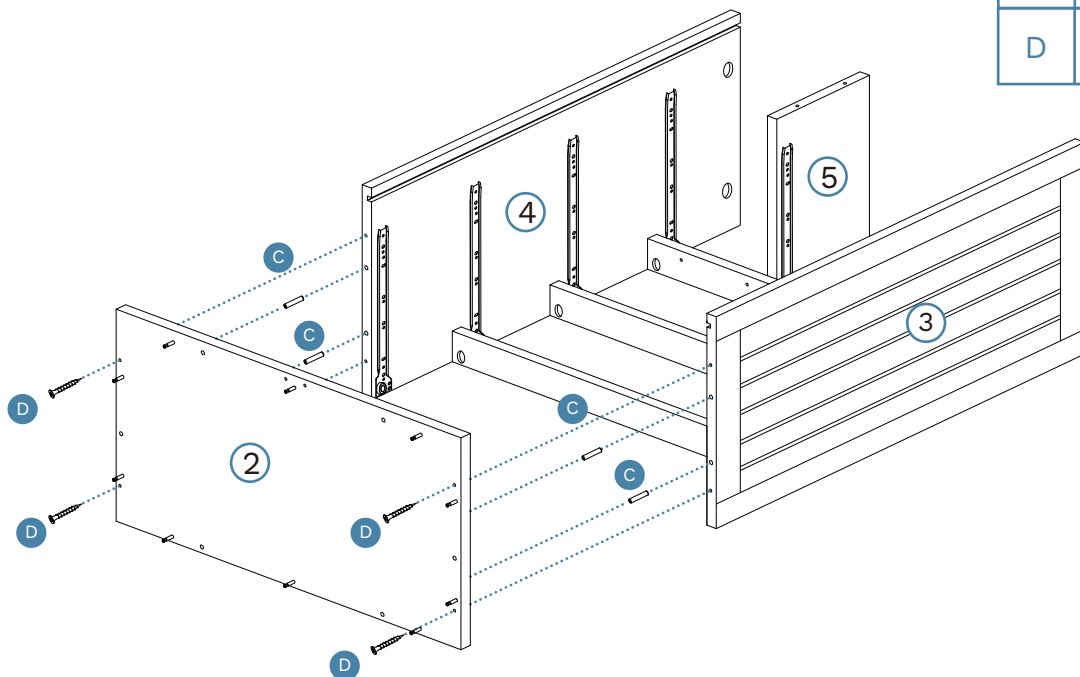
7



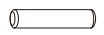

Hardware Needed

A		x10
---	---	-----

8

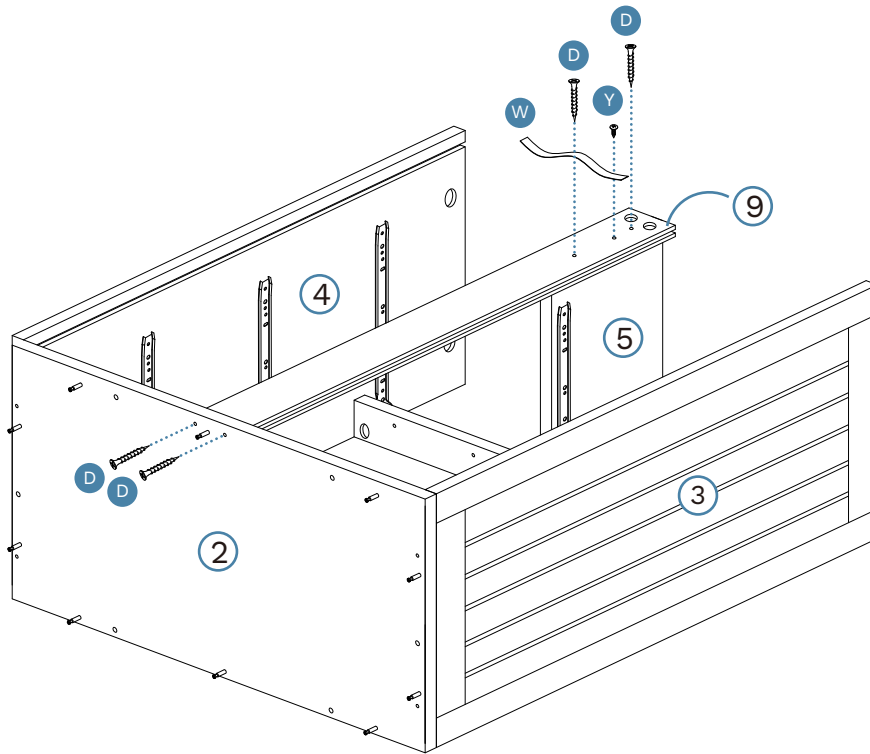


Hardware Needed

C		x4
D		x4

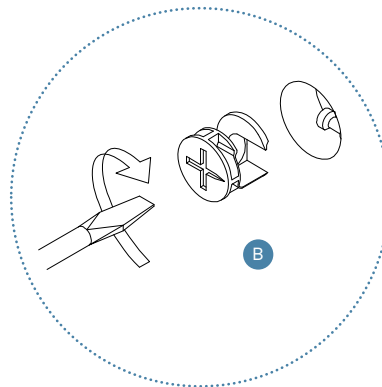
Hamptons Tallboy

9

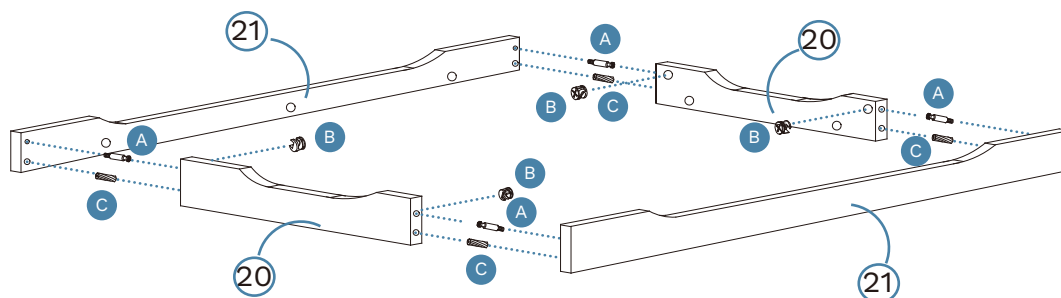


Hardware Needed		
D		x4
Y		x1
W		x1

10





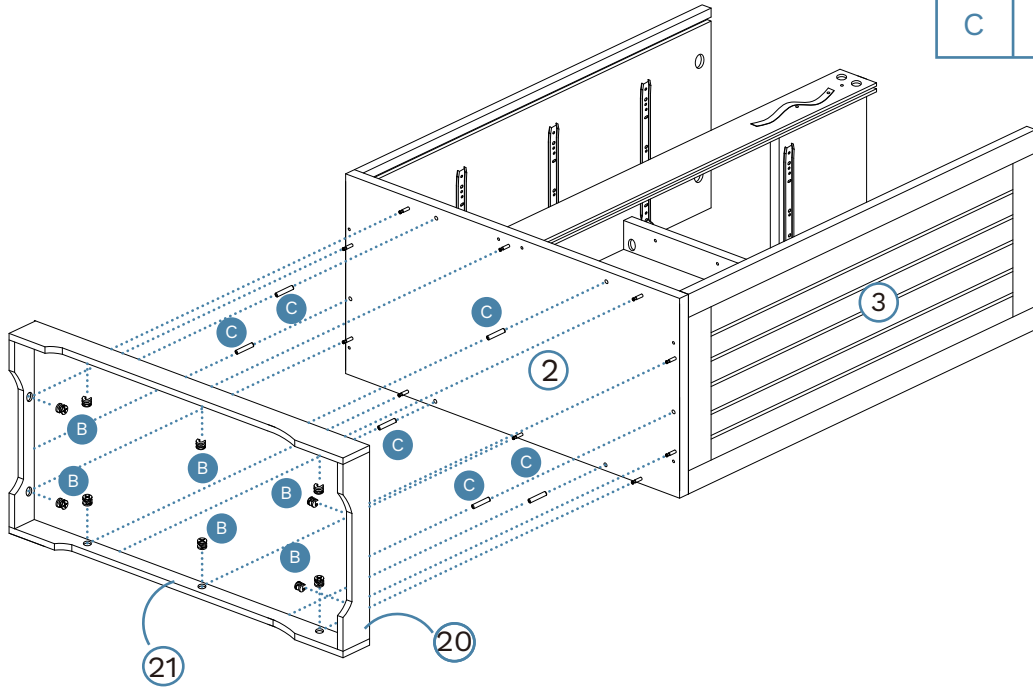
Hardware Needed		
A		x4
B		x4
C		x4




Hamptons Tallboy

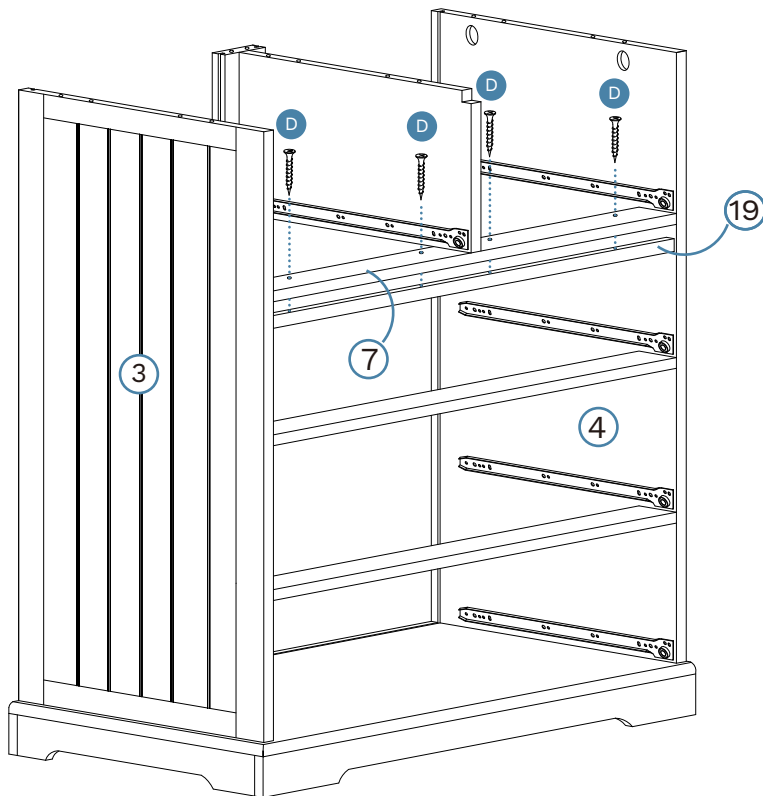
11

Hardware Needed		
B		x10
C		x6



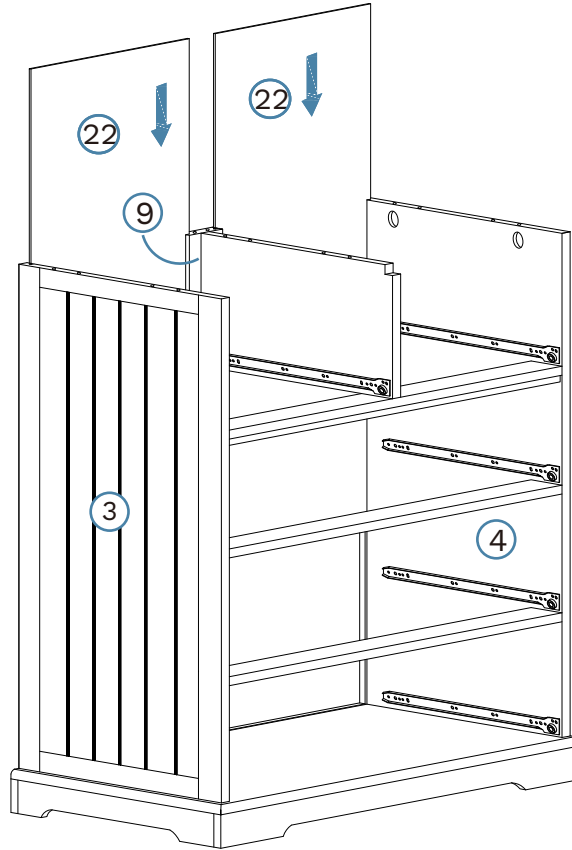
12

Hardware Needed		
D		x4

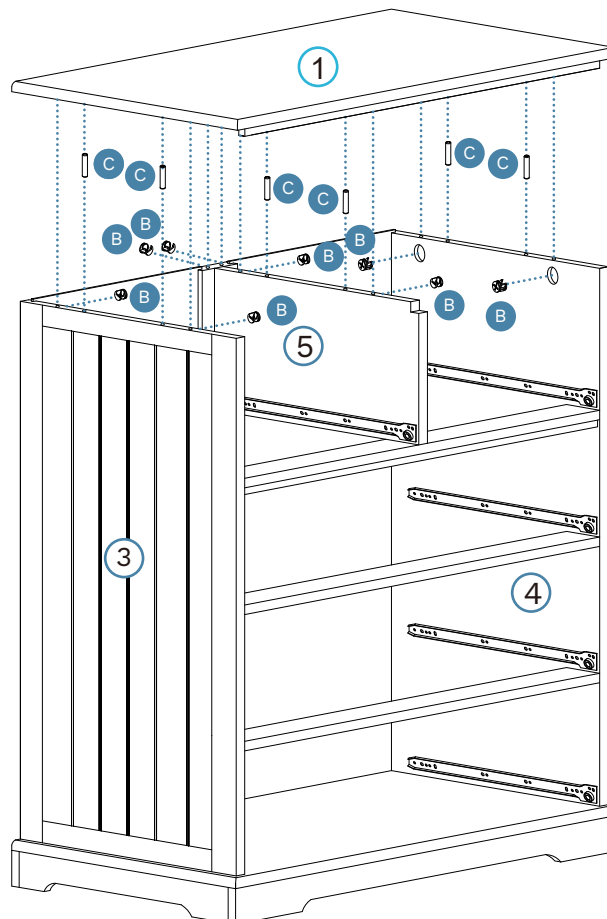



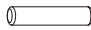
Hamptons Tallboy

13



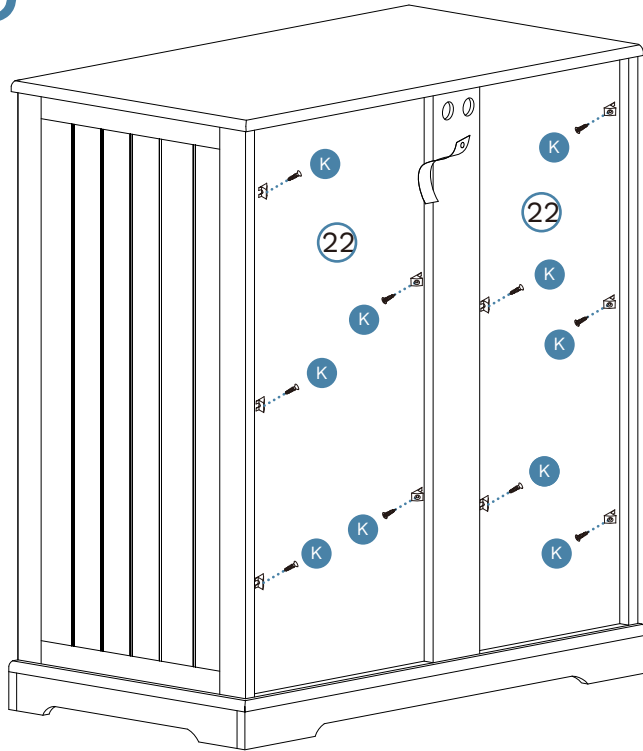
14




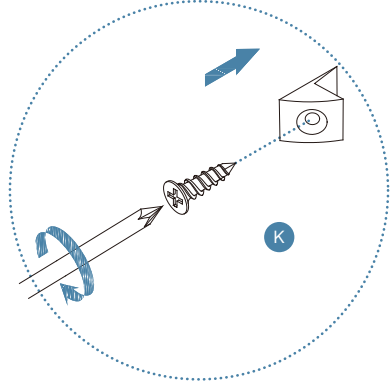
Hardware Needed		
B		x8
C		x6

Hamptons Tallboy

15




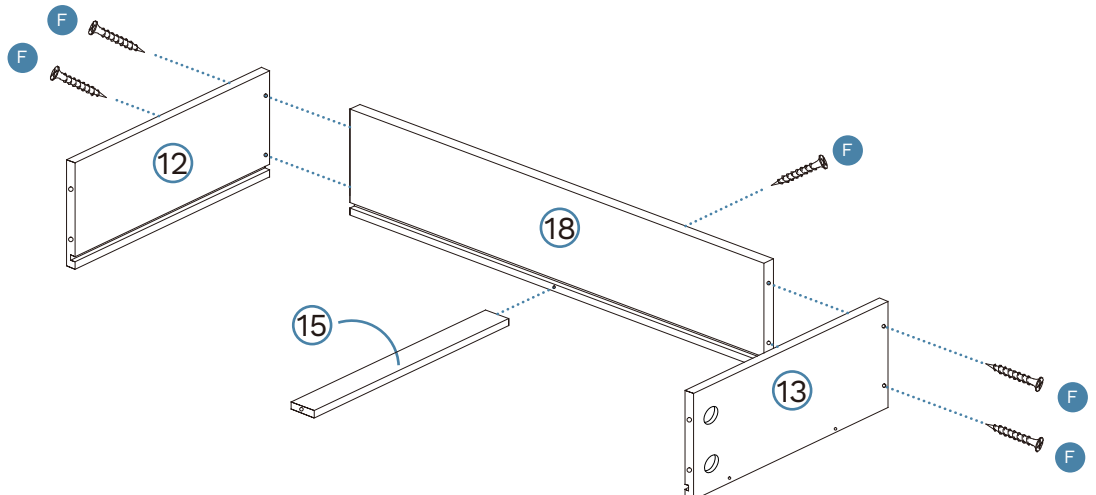
Hardware Needed		
K		x10



16


Large Drawers x 3

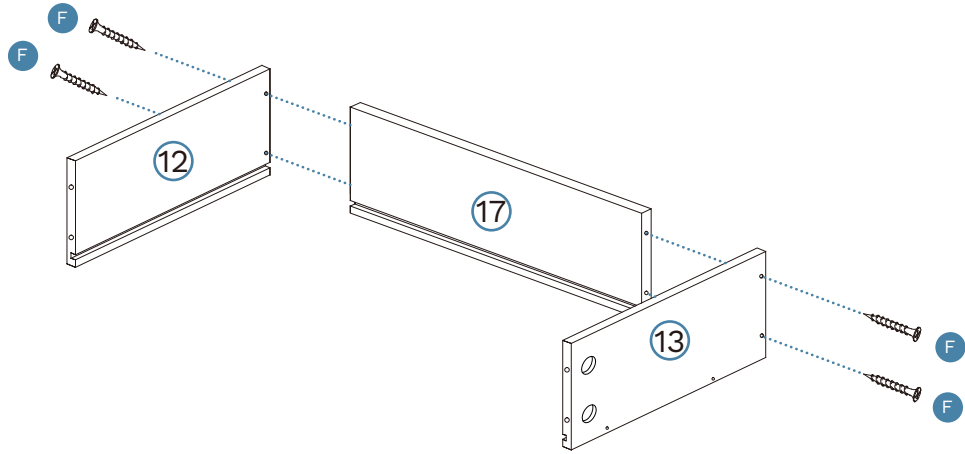
Hardware Needed		
F		x15



Hamptons Tallboy

17 Small Drawers x 2

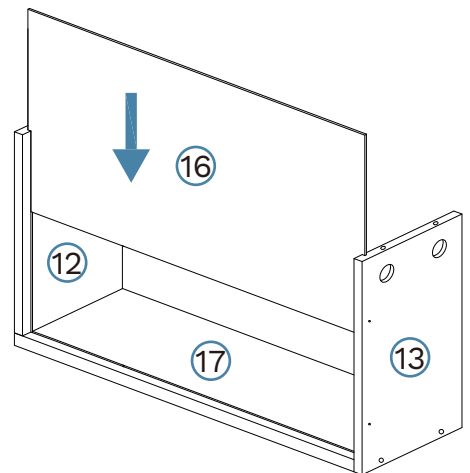
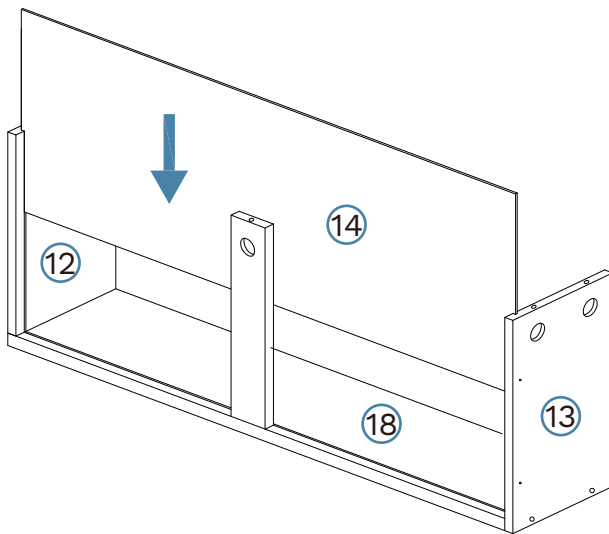
Hardware Needed		
F		x8



18

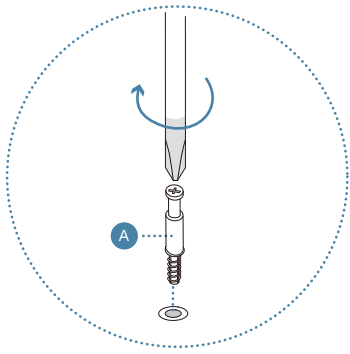
Large Drawers x 3

Small Drawers x 2

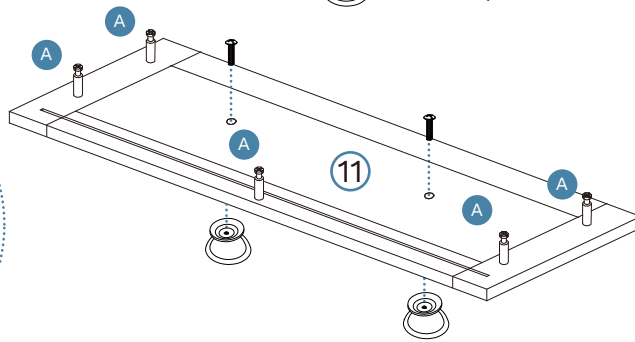
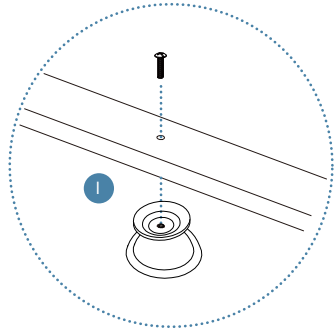
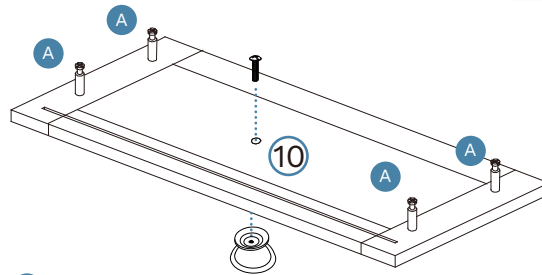


Hamptons Tallboy

19



Small Drawers x 2

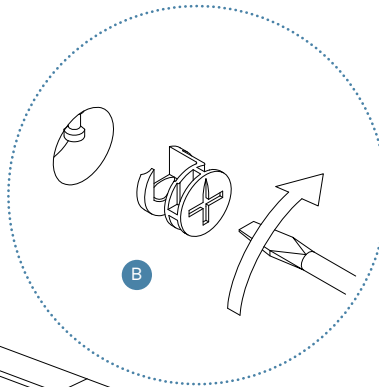


Large Drawers x 3

Hardware Needed

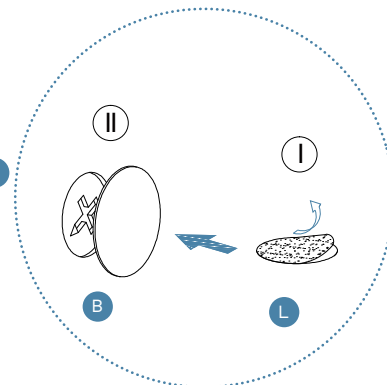
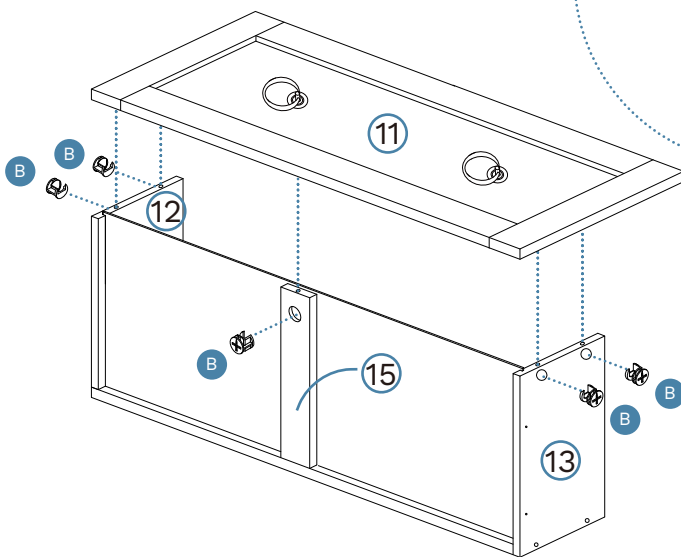
A		x23
I		x8

20 Large Drawers x 3



Hardware Needed

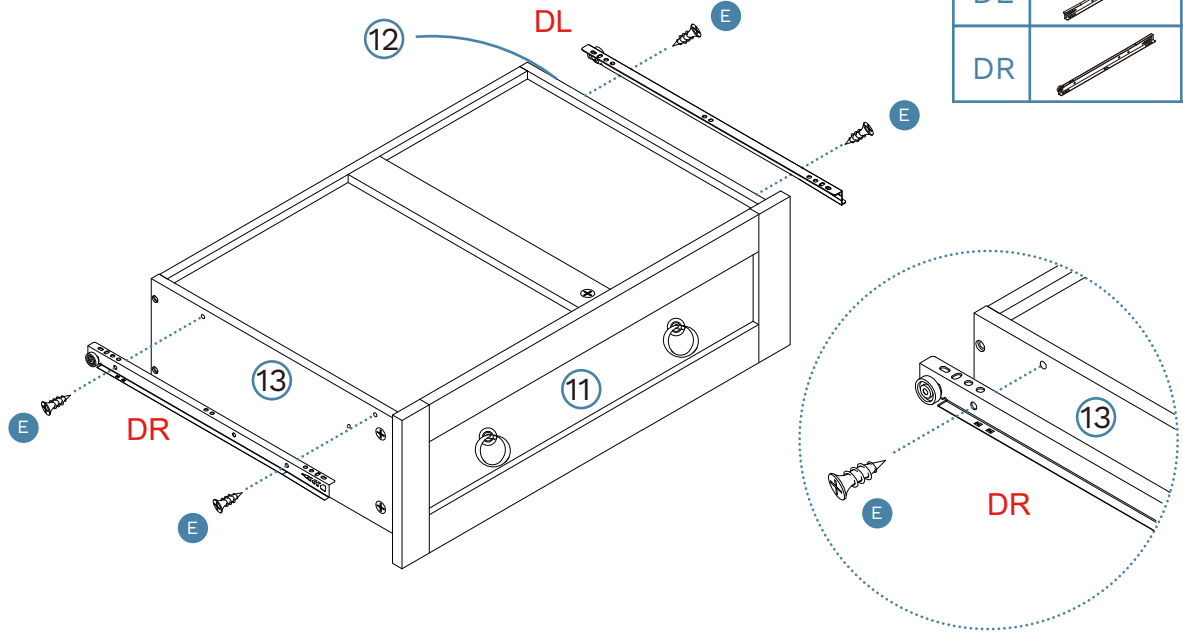
B		x15
L		x12


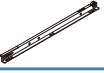



x 12

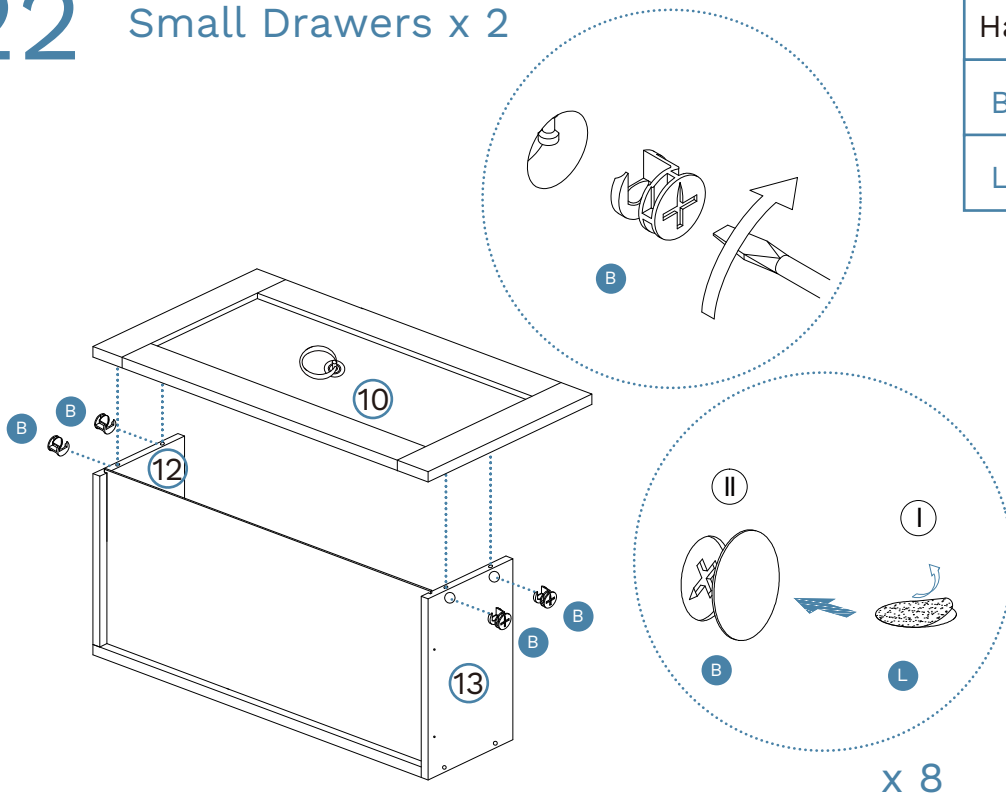
Hamptons Tallboy


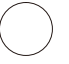
21 Large Drawers x 3



Hardware Needed		
E		x12
DL		x3
DR		x3

22 Small Drawers x 2

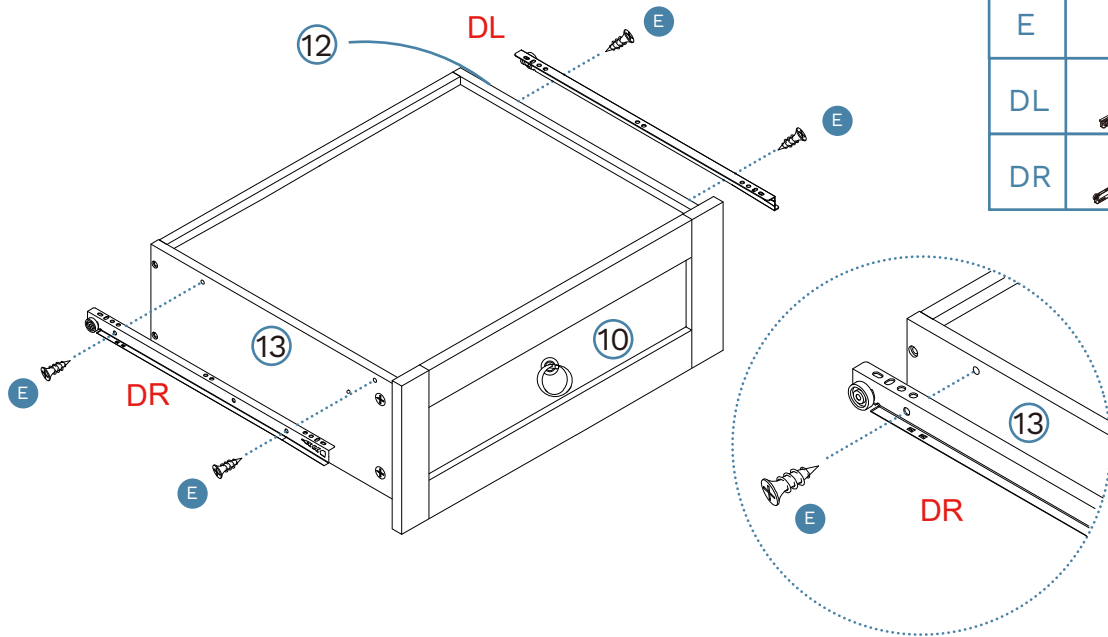


Hardware Needed		
B		x8
L		x8

x 8

Hamptons Tallboy

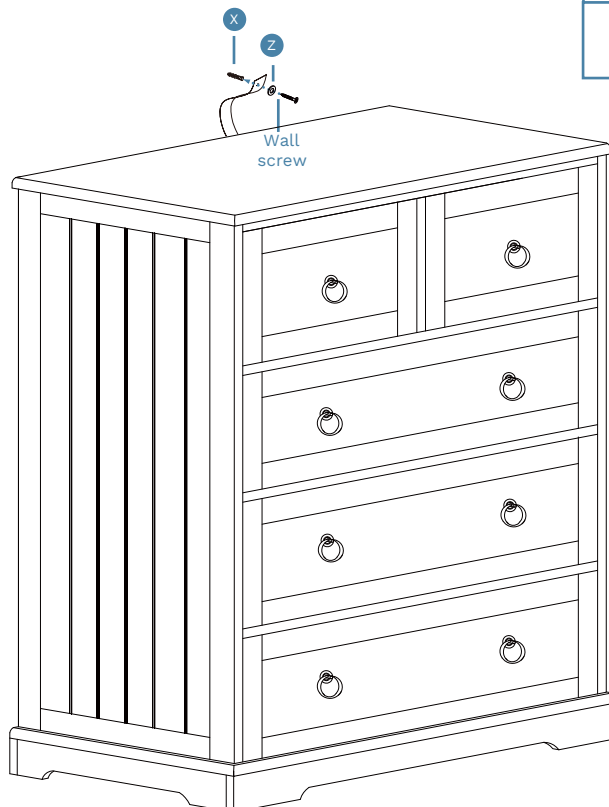
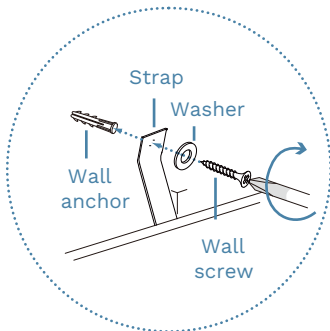
23 Small Drawers x 2



Hardware Needed		
E		x8
DL		x2
DR		x2

24

Note: Seek advice from a qualified trades person on how to attach this safety strap to your specific wall. Once assembled lift furniture into place, do not drag.



Hardware Needed		
X		x1
Y		x1
Z		x1